

Stellar® Service Crane

# EC3200



## EC3200 ★ TECHNICAL SPECIFICATION GUIDE



*Our People. Our Products.*



## ■ SPECIFICATION INFORMATION

Crane Rating:	11,500 ft-lb (1.59 tm)
Standard Boom Length:	7' (2.13 m) from CL of Crane
Boom Extension:	
• 1st stage:	Hydraulic 48" (121.9 cm)
• 2nd stage:	Manual 48" (121.9 cm)
Max. Horizontal Reach:	15' (4.57 m) from CL of Crane
Maximum Vertical Lift: (from crane base)	16' 2" (4.57m)
Boom Elevation:	-5 to +80 degree
Stowed Height: (crane only)	24" (61.0 cm)
Mounting Space Required:	18" x 15" (45.7 x 38.1 cm)
Shipping Weight:	730 lbs (331 kg)
Controls:	Radio control standard for all functions
Winch	
• Rope Length:	65' (19.8 cm)
• Rope Diameter:	7/32" (.56 cm)
• Line pull speed:	15 ft/min (4.6 m/min)
• Max. single part line:	1600 lbs (725 Kg)
• Max. double part line:	3200 lbs (1450 Kg)
Rotation:	410 degree power (worm gear)
Lifting Capacities:	1625 lbs @ 7' (737 Kg @ 2.1 m) 640 lbs @ 15' (260 Kg @ 4.6 m)
Power Supply Required:	12 volt power unit 2.0 gpm @ 2600 psi (7.57 lpm @ 179 bars)
Min. Rec. Chassis (GVRW)	10,500

## ■ DEFINING CHARACTERISTICS

### Planetary Drive Winch System

The winch is equipped with a 1.8 HP permanent magnet electric motor with a 261:1 planetary gear reduction system. This ensures that your winch will never quit lifting before it reaches the full rated capacity.

### Double Boom Design

The double boom design makes it nearly twice as strong as the nearest competitor.

### Gear Bearing Rotation

Uses same rotation system as the larger class cranes. There are no plastic bushings or brass gears in the rotation system. It uses a high strength steel ball bearing turntable gear, a high strength steel worm gear, and a cast steel worm gear housing.

### Integral Rotation Stop

410 degrees of rotation with an integrated rotation stop. Integrated stops allow you the greatest performance while protecting wires and hoses from damage.

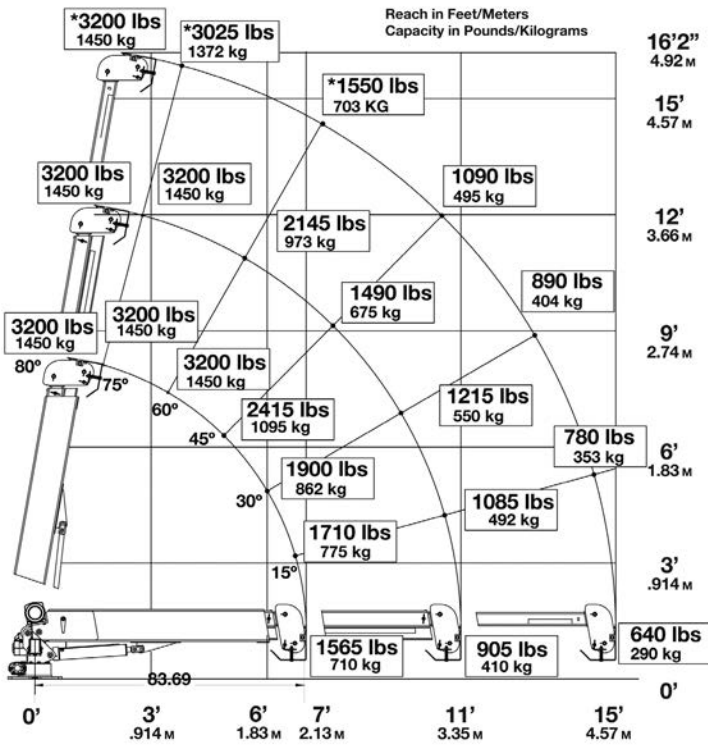
### 15' of Reach

Hydraulic 1st stage extension. Manual 2nd stage extension.

### Radio Remote

Comes standard with a radio remote control.

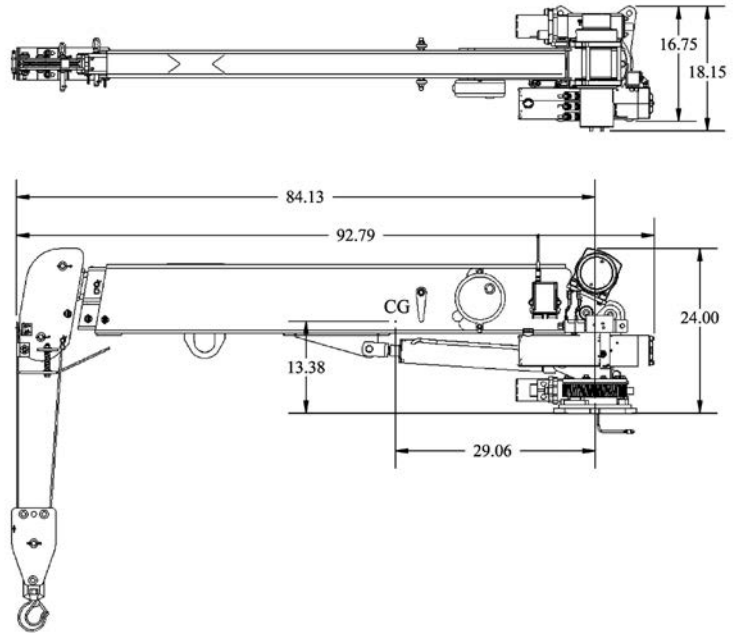
### ■ EC3200 CAPACITY CHART



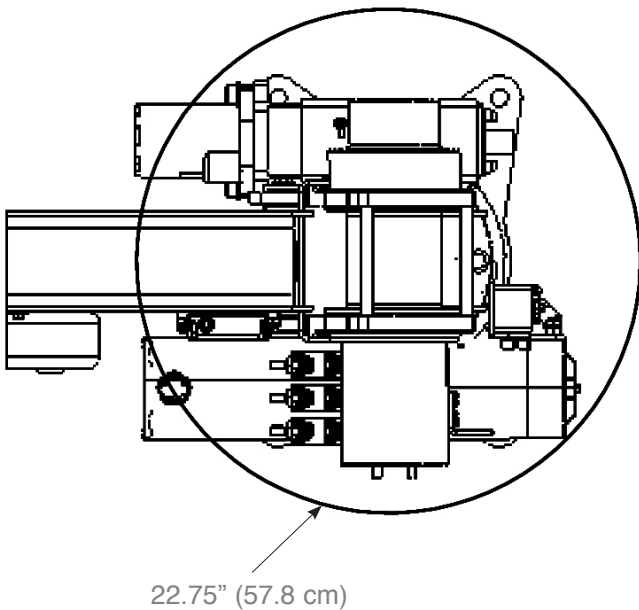
Weight of load handling devices are part of the load lifted and must be deducted from the capacity.

Maximum 1 - part line capacity is 1600 lbs. (726 kg). For greater loads, use 2 - part line.

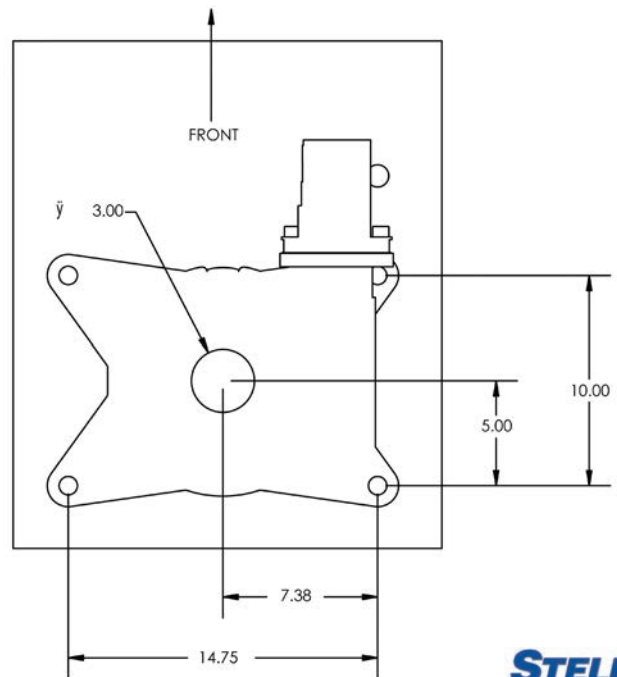
### ■ GEOMETRIC DIMENSIONS



### ■ ROTATIONAL CLEARANCE

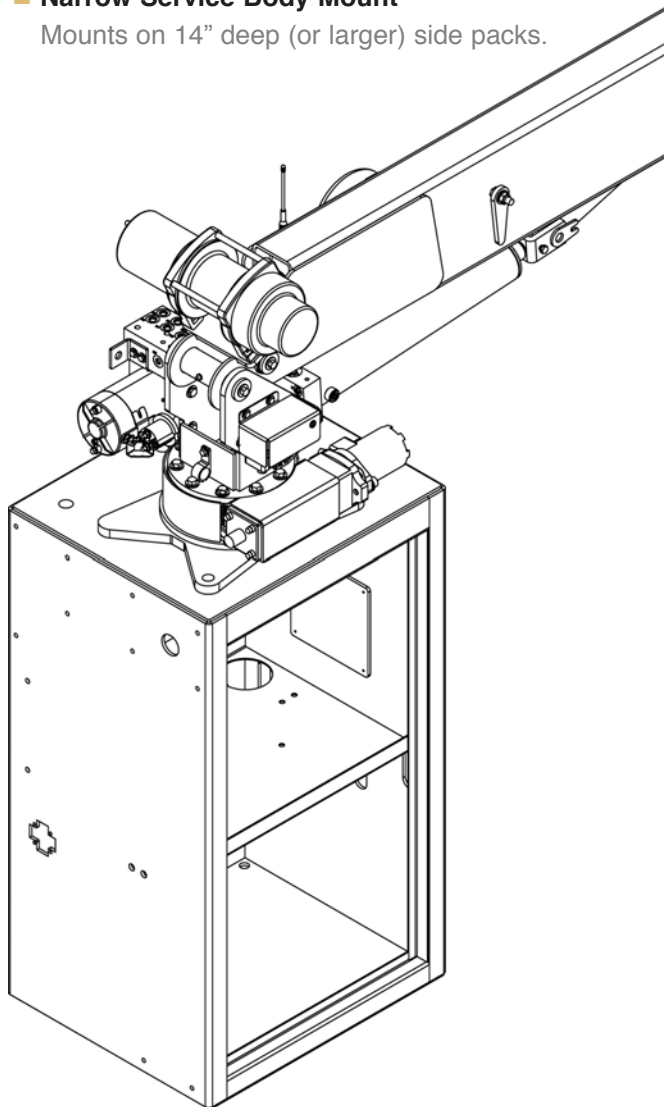


### ■ HOLE MOUNTING DETAIL



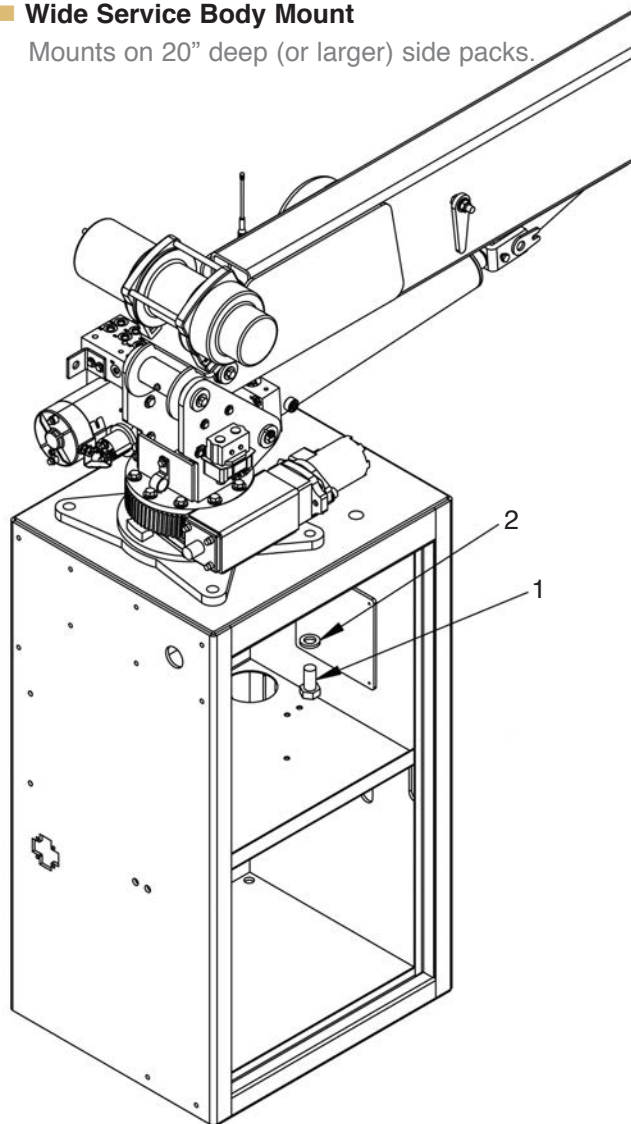
■ **Narrow Service Body Mount**

Mounts on 14" deep (or larger) side packs.



■ **Wide Service Body Mount**

Mounts on 20" deep (or larger) side packs.



Item	Part	Description	Qty.
1	42985	Cap Scr 0.88-9x1.75 HHGR8ZY	4
2	8648	Washer 0.88 SAE GR8	4

Your local distributor:



*Our People. Our Products.*

190 State Street  
 P.O. Box 169  
 Garner, IA 50438  
 Telephone: (641) 923-3741 • (800) 321-3741  
 Fax: (641) 923-2812  
 Internet: [www.stellarindustries.com](http://www.stellarindustries.com)  
 Email: [sales@stellarindustries.com](mailto:sales@stellarindustries.com)

An Employee Owned Company.  
 Copyright © 2016 Stellar Industries, Inc.